

FIG. 1

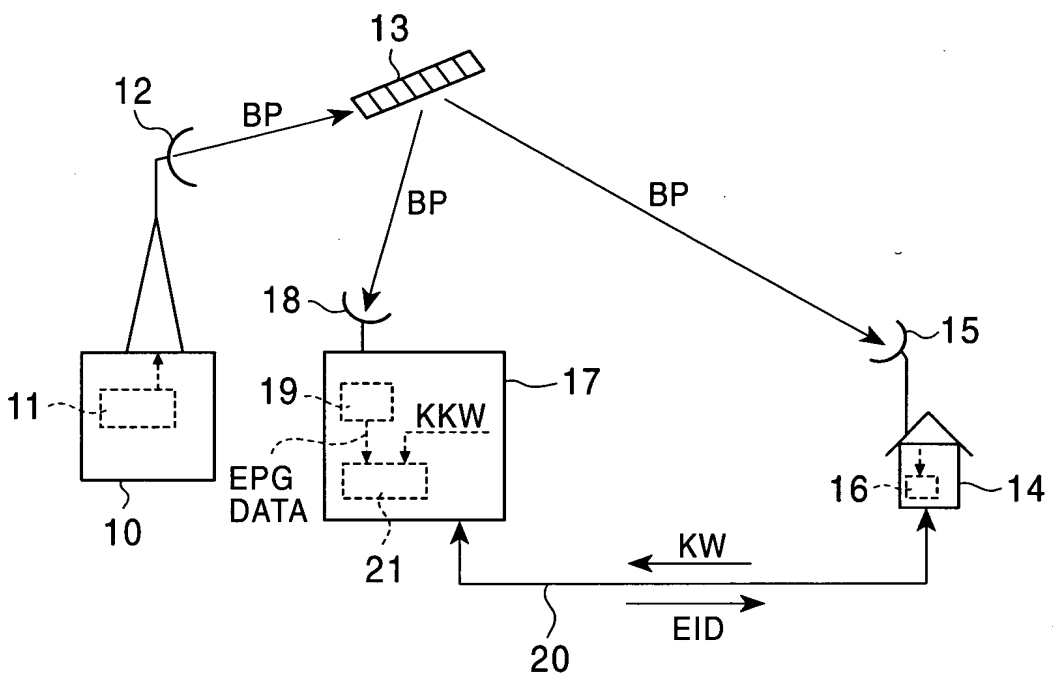
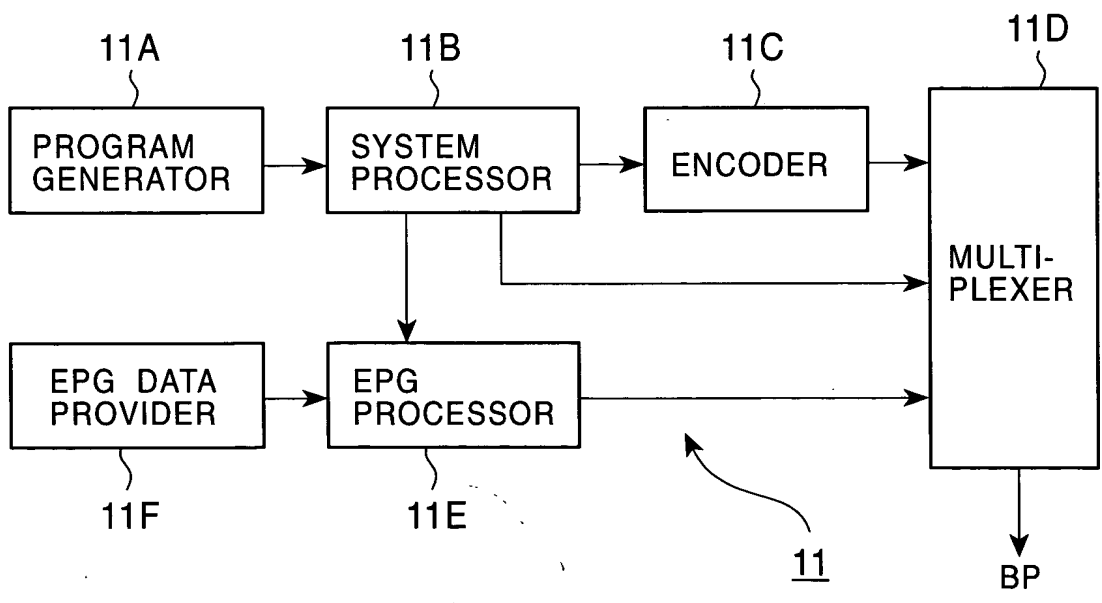


FIG. 2



002260 "45154" 092700

FIG. 3

| Syntax                       | No. of Bits | Identifier |
|------------------------------|-------------|------------|
| event_information_section(){ |             |            |
| table_id                     | 8           | uimsbf     |
| section_syntax_indicator     | 1           | bslbf      |
| reserved_future_use          | 1           | bslbf      |
| reserved                     | 2           | bslbf      |
| section_length               | 12          | uimsbf     |
| service_id                   | 16          | uimsbf     |
| reserved                     | 2           | bslbf      |
| version_number               | 5           | uimsbf     |
| current_next_indicator       | 1           | bslbf      |
| section_number               | 8           | uimsbf     |
| last_section_number          | 8           | uimsbf     |
| transport_stream_id          | 16          | uimsbf     |
| original_network_id          | 16          | uimsbf     |
| segment_last_section_number  | 8           | uimsbf     |
| last_table_id                | 8           | uimsbf     |
| for(i=0;i<N;i++){            |             |            |
| event_id ←----- (1)          | 16          | uimsbf     |
| start_time ←----- (2)        | 40          | bslbf      |
| duration ←----- (3)          | 24          | uimsbf     |
| running_status               | 3           | uimsbf     |
| free_CA_mode                 | 1           | bslbf      |
| descriptors_loop_length      | 12          | uimsbf     |
| for(i=0;i<N;i++){            |             |            |
| descriptor() ←----- (4)      |             |            |
| }                            |             |            |
| }                            |             |            |
| CRC_32                       | 32          | rpchof     |
| }                            |             |            |